

TLB-2010-L

10 mW Full Band Tunable CW Laser Butterfly

Full C Band Tunable CW Laser

Features

- Wide tuning range using highly reliable DFB laser arrays
- Excellent wavelength stability with no possibility of mode hop
- CW output power of 10 mW
- Polarization Maintain Fiber

Applications

- 1550 nm widely tunable DFB source for DWDM systems
- Large form factor full band tunable transponders

Benefits

- DFB laser performance
- Simple control loops for tunable laser

*The **TLB-2010-L** is the second generation of compact 20 mW widely tunable transmission lasers built with Santur's own proprietary DFB laser array, MEMs coupling and packaging technology. Santur's technology provides for a highly efficient, small form factor full band tunable butterfly with the lowest power dissipation in the industry.*

*Ideally suited for use in a wide variety of DWDM Metro and LH systems, the Santur **TLB-2010-L** provides the best combination of performance features available, offering a unique combination of optical power, wide tunability, and low power dissipation. The **TLB-2010-L** includes an integrated wavelength locker and a uniquely stable DFB laser array.*

High-power performance, reliability, ease of control, and economies of scale derived from the exclusive, proven technology, differentiate this product from others in the industry.



TLB-2010-L-DS

This is a technical data sheet – parameters are subject to change without notice.

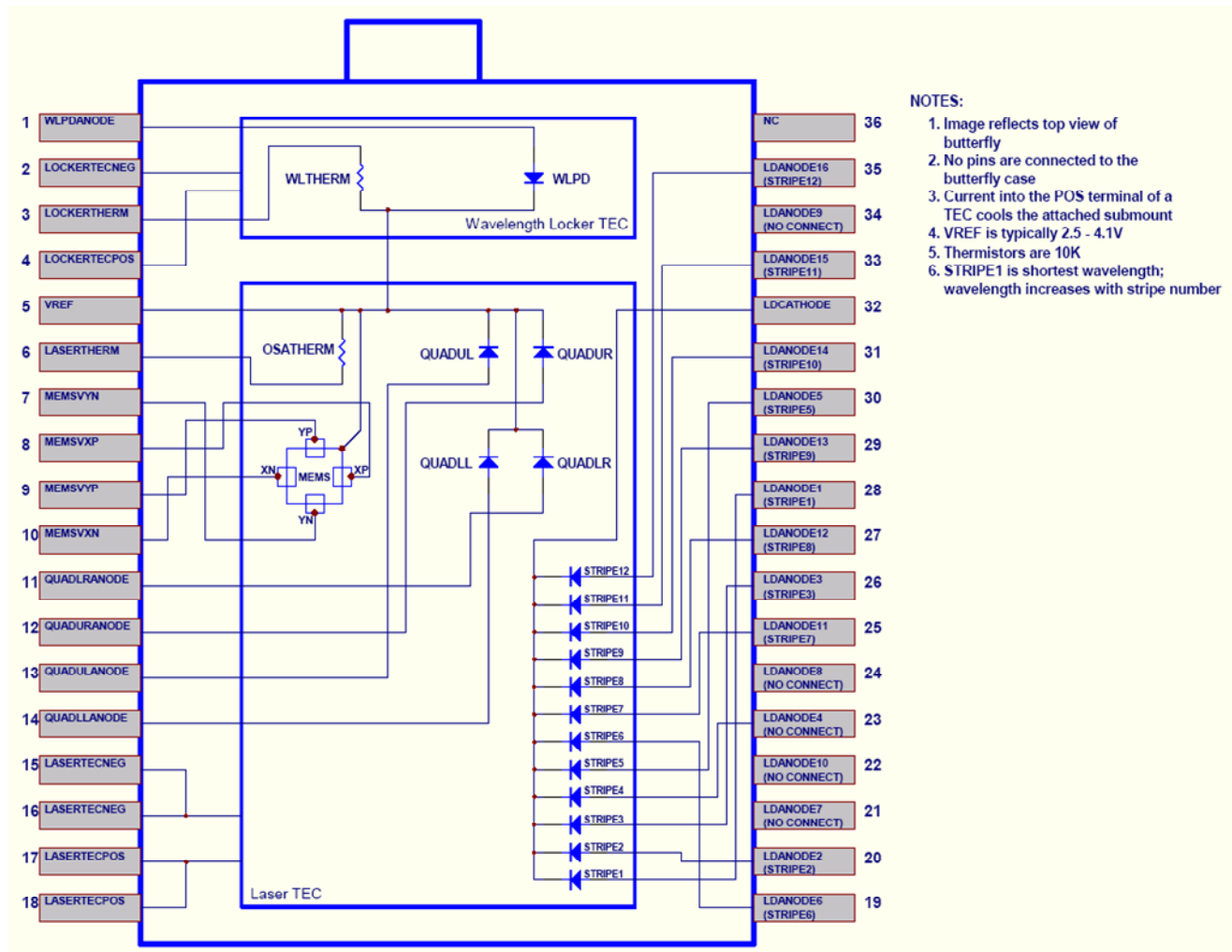
Specifications:

Absolute Maximum Ratings						
#	Parameter	Symbol	Min.	Max.	Unit	Comments
1	Storage temperature	T_{stg}	-40	85	C	
2	Laser diode reverse voltage	V_{R_max}		2	V	
3	Laser diode forward current	I_{f_max}		400	mA	
4	Etalon photodiode reverse voltage	V_{EPD_max}		10	V	
5	Etalon photodiode reverse current	I_{EPD_max}		3	mA	
6	Quad detector reverse voltage	V_{quad_max}		5	V	
7	Quad detector reverse current	I_{quad_max}		3	mA	
8	MEMS X voltage	$V_{MEMS\ X_max}$		210	V	
9	MEMS Y voltage	$V_{MEMS\ Y_max}$		175	V	
10	MEMS current	I_{MEMS_max}		100	μ A	
11	Laser TEC current	I_{OSATEC_max}		3	A	
12	Locker TEC current	I_{WLTEC_max}		1.5	A	
13	Lead Soldering			250C, 5sec		
14	Electrostatic discharge (ESD)	V_{ESD}		500	V	C=100pF, R=1.5k Ω , Human Body Model

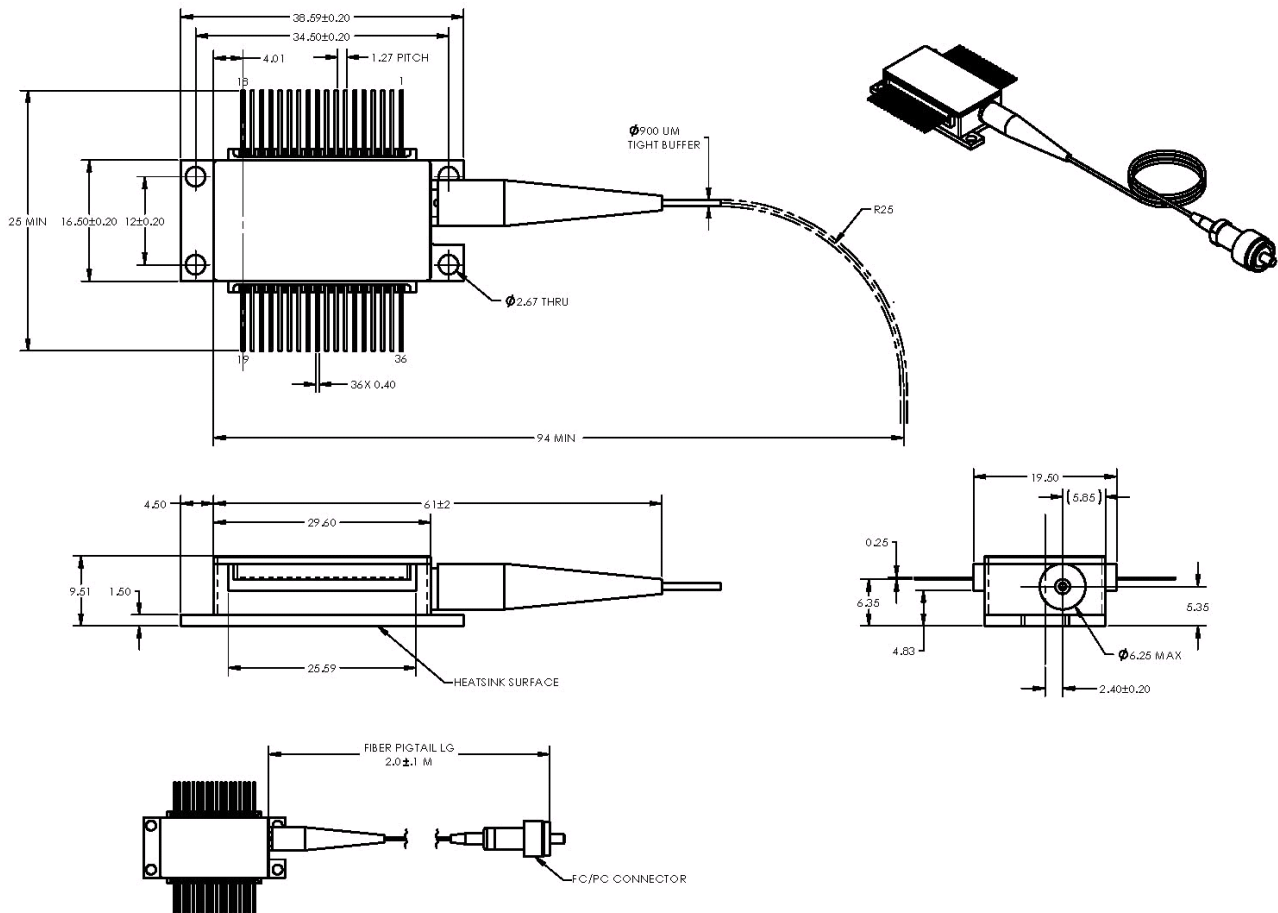
#	Parameter	Symbol	Test Condition	Min.	Typical	Max.	Unit
1	Fiber-coupled power	P_{op}	CW		10		mW
2	Wavelength range	λ_{min}		1565		1605	nm
4	Total Tuning Range			40			nm
5	Laser Set Temperature	T_{set}		17		52	C
6	Case Temperature	T_{case}	TEC Active	-5	-	75	C
7	Power variation over case temp			-0.5		0.5	dBm
8	Laser Forward Current @ rated power	I_{op}	-	-	-	350	mA
9	Laser Forward Voltage @ rated power	V_{op}	-	-	-	2.5	V
10	Threshold Current	I_{th}	-	-	65	-	mA
11	Spectral Width	$\Delta\lambda$	FWHM	-	2	5	MHz
12	Side-mode Suppression Ratio	SMSR	-	40	50	-	dB
13	Relative Intensity Noise	RIN	20 MHz to 10 GHz	-	-137	-130	dB/Hz
14	Extinction Ratio	TE/TM	-	20	-	-	dB
15	Optical Isolation	ISO	-	30	35	-	dB
16	MEMS X Voltage	V_{xp}, V_{xn}	200 BOL	-	-	205	V
17	MEMS Y Voltage	V_{yp}, V_{yn}	-	-	-	170	V
18	MEMS X snapdown Voltage*	$V_{x snap}$	-	$ V_{x cal} + 10$	-	-	V
17	Laser TEC Current	I_{TEC}	-	-	-	2.1	A
18	Laser TEC Voltage	V_{TEC}	-	-	-	2.75	V
19	Laser Thermistor Resistance	R_{TH}	@ 25 C	9.5	10	10.5	k Ω
20	Locker TEC Current	I_{TEC}	-	-	-	0.75	A
21	Locker TEC Voltage	V_{TEC}	-	-	-	1.25	V
22	Locker Thermistor Resistance	R_{TH}	@ 25 C	9.5	10	10.5	k Ω
23	Etalon max/min ratio			2			
24	Total quad detector photocurrent				1		mA
25	Peak etalon photodiode photocurrent				0.04		mA
26	Pigtail Length	L		1			m
27	Connector Type				FC/UPC		
29	Power Dissipation	P_{dis}	70 C			3.8	W

Pin Assignment

Pin	Description	Pin	Description	Pin	Description	Pin	Description
1	Locker PD anode	10	MEMs V_{xn}	19	LD Anode (+) 6	28	LD Anode (+) 1
2	Locker TEC (-)	11	Quad LR Anode	20	LD Anode (+) 2	29	LD Anode (+) 13
3	Locker Therm. (+)	12	Quad UR Anode	21	NC	30	LD Anode (+) 5
4	Locker TEC (+)	13	Quad UL Anode	22	NC	31	LD Anode (+) 14
5	MEMs/Qu/Th GND	14	Quad LL Anode	23	LD Anode (+) 4	32	LD Ground
6	Laser Therm. (+)	15	Laser TEC (-)	24	NC	33	LD Anode (+) 15
7	MEMs V_{yn}	16	Laser TEC (-)	25	LD Anode (+) 11	34	NC
8	MEMs V_{xp}	17	Laser TEC (+)	26	LD Anode (+) 3	35	LD Anode (+) 16
9	MEMs V_{yp}	18	Laser TEC (+)	27	LD Anode (+) 12	36	NC



Mechanical Outline:



dimensions are in millimeters.

Connector is Samtec CLM-118-02 style.

Connection to customer system is via mating Samtec FTM-118-03 or custom flex jumper.



International Sales Contacts

Benelux and Nordics
Laser 2000 Benelux S.A.
Rue du Moulin 18
5650 Fraire, Belgium
Tel: +32 (0) 71 610 640
Fax: +32 (0) 71 610 649
sales@laser2000.be

Germany
Laser 2000 GmbH
Argelsrieder Feld 14
82234 Wessling
Tel: +49 (0) 8153 405-0
Fax: +49 (0) 8153 405-33
contact@laser2000.de

United Kingdom
Laser 2000 (UK) Ltd
Britannia House
Denford Road
Ringstead, Northants NN14 4DF
Tel: +44 (0) 1933 461 666
Fax: +44 (0) 1933 461 699
sales@laser2000.co.uk

China
LuY Broadband Tech. Co.
Room 824 Hua Tong Plaza
No. 19A West Rd. of Che Gong Zhuang
Haidan Dist, Beijing 100044
Tel: +86 (8610) 68700016
Fax: +86 (8610) 6845151
william.lu@luy-tech.com

Israel
Bitel Technologies Ltd.
P.O. Box 94, Yehud
Tel: +972-3-632 2655
Fax: +972-3-632 2279
info@bitel.co.il

France
Laser 2000 S.A.
Park d'Affaires
3, Rue de la Plaine
78860 Saint-Nom la Bretèche
Tel: +33 (0) 1 30 80 00 60
Fax: +33 (0) 1 30 80 00 40
contact@laser2000.fr

Japan
Marubun Corporation
Components Dept.
Marubun Daiya Bldg., 8-1
Nihonbashi Odenmachi
Chuo-ku, Tokyo 103-8577
Tel: (03) 3639-9881
Fax: (03) 5644-7627
motizuki@marubun.co.jp



This is an OEM product that does not comply with the requirements of 21 CFR Subchapter I as applicable. It is the responsibility of the user to report the end product and to certify that it meets all applicable requirements.



DANGER: Fiber output is >10 mWatt at 1555 nm.
Do not look into fiber end.

Santur Corporation
40931 Encyclopedia Circle
Fremont, CA 94538
Phone: (510) 656-7130
Fax (510) 656-7563
www.santurcorp.com
1-866-TUNABLE

© 2005 Santur Corporation. The Santur Corporation logo is a trademark of Santur Corporation. The ITLA-3020-C/L product is registered with the U.S. Office of Patents and Trademarks. All rights reserved. Santur Corporation reserves the right to make changes to the product(s) or information contained herein without notice. No liability is assumed as a result of their use of application.

TLB-2010-L-DS

This is a technical data sheet – parameters are subject to change without notice.